

Performance Intelligent Clean Air System

### PRODUCT DESCRIPTION

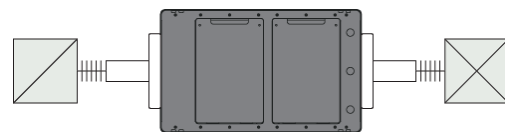
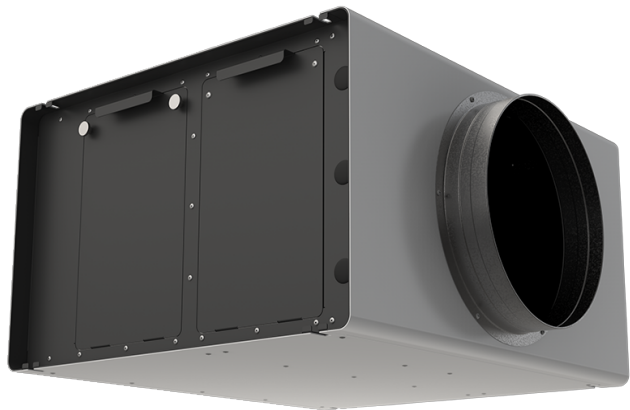
smartIAQ is an Intelligent Clean Air System that delivers constant air cleaning, addressing TVOC's, Formaldehyde, PM<sub>1.0</sub>, PM<sub>2.5</sub>, PM<sub>4.0</sub>, PM<sub>10</sub>, as well as NO<sub>x</sub>. This ensures indoor air quality meets current standards, while maintaining a quiet standard operation. Additionally, with filters third party tested for high first pass removal efficiencies\*, the smartIAQ-500-1-CC can provide an equivalent clean airflow of up to 400CFM for your Infection Risk Mitigation Plan in accordance with ASHRAE 241-2023.

Operating independently of a HVAC system, smartIAQ SIAQ-500-1-CC is dedicated to continuously delivering cleaned air to the breathing zone. smartIAQ is powered by digital control, informed by a panel of solid state, calibrated, air quality sensors that manage the cleaned airflow, utilizing an optimal airflow in standard cleaning mode while sensing IAQ contaminants and ramping to maximum speed when needed.

Designed to be installed above a drop ceiling, the system is also elegantly designed to look at home in open ceiling applications.

### STANDARD FEATURES

- Integral EC Blower - varies from 200CFM in Standard Clean mode through to a Peak Clean flow of 500CFM.
- Quiet operation - Nominal 33 dB(A)
- 12" Dia inlet / outlet
- Easy tool-free filter access
- Integral hanger brackets for permanent installation using all thread rods
- NPBI® Soft Ionization delivered in all operational modes
- Supports maximum external static pressure of 0.8" W.C.
- I/O :
  - Inputs: INHIBIT OPERATION
  - Outputs: POWERED ON (READY)  
ACTIVELY CLEANING  
FAULT  
CHANGE FILTER



Standard Deployment

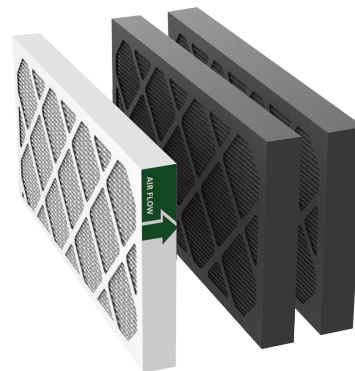
### FILTRATION DETAILS

The SIAQ-500-1-CC utilizes high efficiency Particulate and Molecular filters to address defined design compounds.

Base Level Kit is included, which consists of:

Qty 1 (one) 2" MERV 14 Particulate Filter  
Model: SIAQ-PF14-12242

Qty 2 (two) 2" Molecular Filters  
Model: SIAQ-MF1-12242

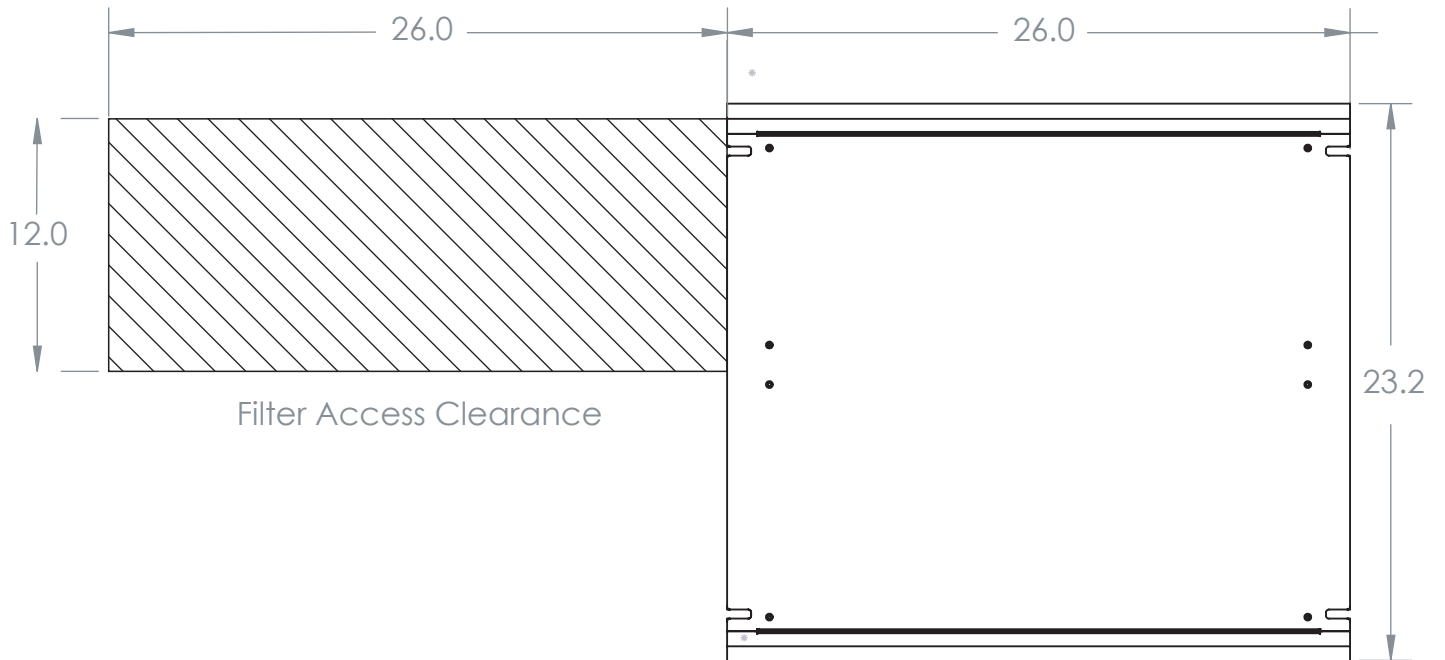


Unit achieves 6 months of filter life\*\*

\* Particle filter tested to ASHRAE 52.2, Molecular filter tested to ASHRAE 145.2

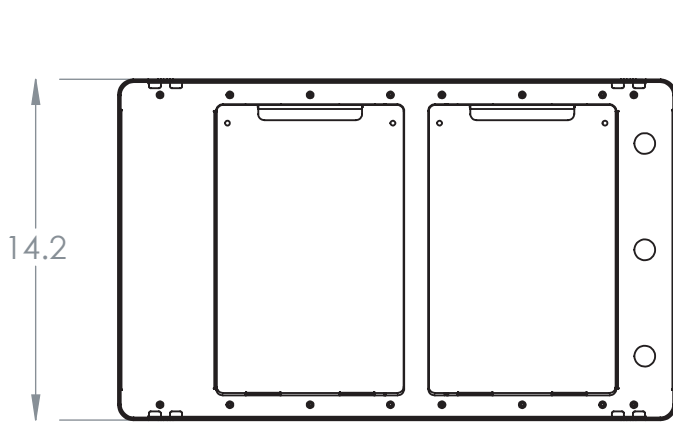
\*\* Based on ASHRAE published generation rates for design compounds

Performance Intelligent Clean Air System

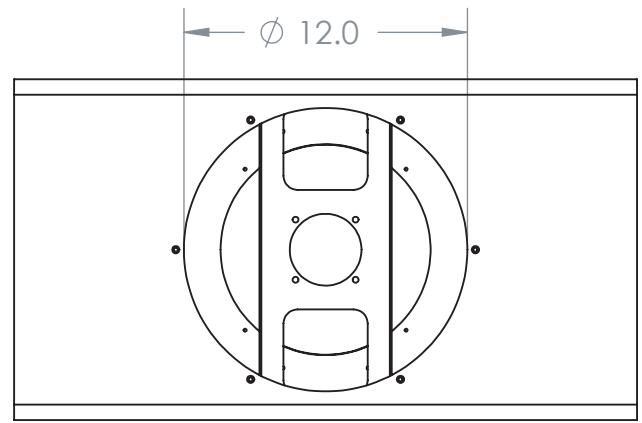


Filter Access Clearance

Plan View



Service Side Elevation



Supply End Elevation

### SIAQ-500-1-CC SPECIFICATIONS

<b>Standard Input Voltage/Frequency</b>	120 VAC, 50 / 60 Hz	<b>Weight (Standard Unit)</b>	70bs
<b>Optional Input Voltage/Frequency</b>	208/230/277/347 VAC, 50 / 60 Hz	<b>Weight (with optional transformer)</b>	78lbs
<b>Airflow Capacity</b>	500 CFM	<b>Power Consumption</b>	200 W (Max)
<b>Sound Level (Nominal Cleaning)</b>	NC-35	<b>Temperature Range</b>	0 - 140 F
<b>Filter Life</b>	6 months*	<b>Humidity Range</b>	5 - 85% RH (non-condensing)
<b>Unit Dimensions (L x W x H)</b>	23" x 26" x 14"	<b>Compliance and Certifications</b>	UL 507, UL 867, UL 2998