

smartIAQ Hub-4

smartIAQ® GridSet™ Low Voltage Power Supply Unit

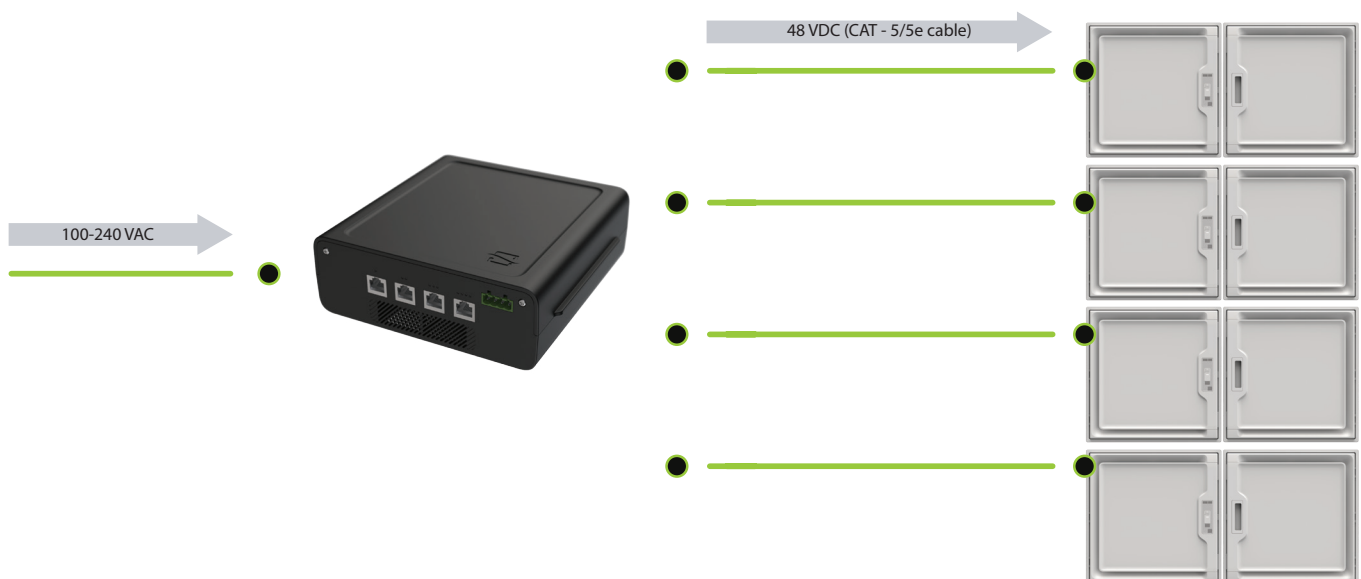
PRODUCT DESCRIPTION

The smartIAQ Hub-4 delivers a streamlined power solution for up to four smartIAQ GridSet units, helping reduce installation costs and complexity. With only a single incoming mains connection, the Hub-4 distributes low-voltage power to multiple devices using simple plug-and-play Ethernet-style cables—no downstream hard wiring, conduit, or specialized labor required.

Its extended low-voltage cabling capability allows the Hub-4 to be positioned conveniently near existing power sources while reliably supplying GridSet units located throughout the space. The result is a clean, flexible, and cost-effective installation tailored for modern IAQP deployments. Note: smartIAQ Hub-4 will supply power only to GridSet units. See smartIAQ Hub-4 Pro for a unit that can supply power and BMS communications.

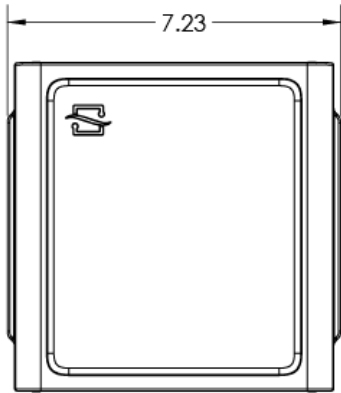
STANDARD FEATURES

- Single power connection (input) to Hub
- 48 VDC Low Voltage outputs for up to 4 smartIAQ GridSet units
- Uses CAT-5/5e wiring
 - Max 300ft per GridSet unit
- Rated for Plenum Applications
- 1/2" Trade size knock-out for standard electrical gland

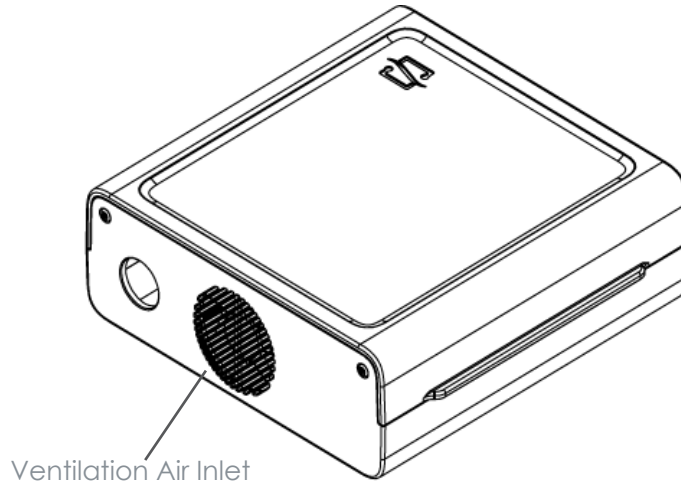


smartIAQ Hub-4

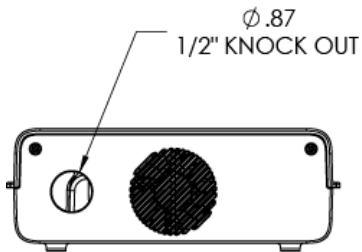
smartIAQ GridSet Low Voltage Power Supply Unit



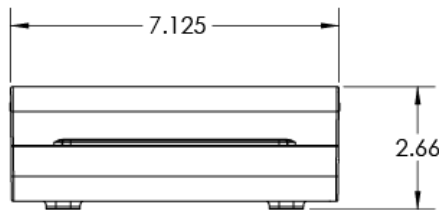
Plan View



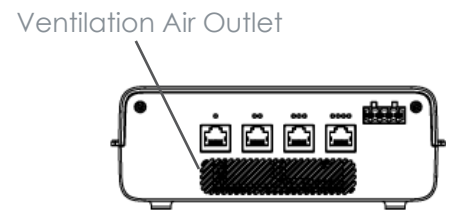
Ventilation Air Inlet



End Elevation



Side Elevation



End Elevation

SIAQ-HB4: SPECIFICATIONS

Input Voltage	110 -240 VAC 50/60Hz
Output Voltage	48 VDC
Power Consumption	200 W (Max)
Minimum Circuit Amps (MCA)	5.25 A
Temperature Range	0 - 140 F
Humidity Range	20 - 90% RH (non-condensing)

Dimensions (L x W x H)	7.125 " x 7.25" x 2.66"
Weight	2.5 lbs
GridSet Units Served	Up to 4 (Max)
Gridset Compatibility	Power Supply Only
Gridset Pro Compatibility	Power Supply Only
Compliance and Certifications*	UL 62368-1, CSA 22.2 #62368-1

* Certifications Pending

© 2026 GPS Air
GPS Air is the owner of certain trademarks that appear in our materials. Please visit www.gpsair.com/trademarks for a list of our marks.

GPS-040-50-R22-SH4